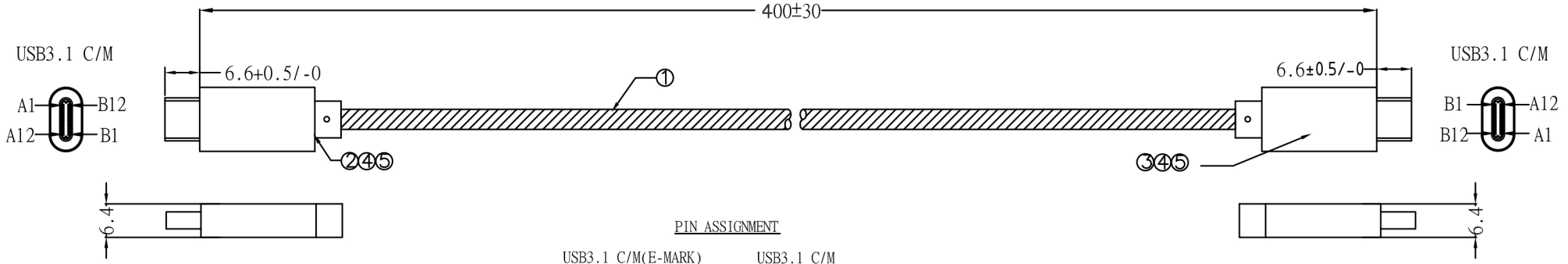
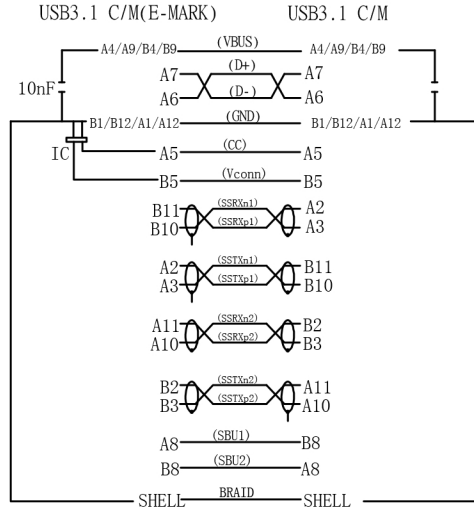


REV. 版本	Change NO. 变更单号	Change Description 变更说明	Date 日期	Approved 核准
AO		NEW		



PIN ASSIGNMENT



—:ELECTRICAL TEST:
1. 100% open short & miss wire test;

5	shell	Aluminum alloy casing, L:25*W:12.3*H:6.4mm	2	PCS
4	PVC	45P PVC BLACK	10	g
3	TYPE C	USB3.1 Type C Male Connector, Pin Plated, Shell Nickel Plated, Insulator	1	PCS
2	TYPE C	USB3.1 Type C Male Connector, Pin Plated, Shell Nickel Plated, With E-mark. Black Insulator	1	PCS
1	cable	(1P*32#+AM)*4P+1P*32#+4C*32#+2C*22#+AL+B(96/0.08TC)+TPE+NYLON OD:5.0mm	1000	mm

ITEM NO. (客户型号)		Customer (客户)	
DESCRIPTION (产品描述)	USB3.1 C/M TO USB3.1 C/M	REV. (版本)	AO
MATERIAL NO. (物料编码)	01.06.0001	PAGE (页数)	1 OF 1
Oyen Digital LLC		UNIT (单位)	mm
		SCALE (比例)	NONE
		PROJECTION (投影)	☉
		CHECK (审核)	
		DRAWN (绘图)	丁恒双
		DATE (日期):	2019.7.20

序號/NO.	品名/Name	物料规格/Specifications	数量QT'	Y 单位/UNIT
--------	---------	---------------------	-------	-----------